



Automatic Guided Vehicle Systems

Mobile Robotics Since 1982



Transbotics.com | +1 704 362 1115

SOLUTIONS SUITE

Transbotics manufactures, installs, and supports various automation technologies, including custom, and standard AGVs, AGCs, heavy load AGVs, conveyors, batteries, chargers, motors and other related products. Transbotics provides unique automation solutions to a variety of industries, including automotive (and tier one suppliers), primary metals, food and beverage, aerospace and defense, plastics and paper and allied products.



CONSULTATION/ DESIGN

Consultation begins by working closely with our clients to understand the application and overall system requirements. Countless variables are considered and studies are conducted down to through-put calculations. Based on this thorough assessment, our team can make recommendations and submit a proposal. Typically, 2D CAD drawings are provided first, followed by a 3D layout and simulation.



MANUFACTURING

Once a system is established, our clients get a dedicated project management team that follows the project from start to installation. In the manufacturing stage, the team stays in close contact with the client, providing updates, photos and site visits. The team's primary goal is to deliver the system on time, on budget, and with the utmost quality control.



INSTALLATION

Upon completion of the build process, in-house testing of the equipment is conducted, followed by FAT and shipment to site. A team is sent to the client's site to conduct installation and further testing of the system and application. Once approved, the system is ready to run.



TRAINING

Along side the installation stage, the first training with operator(s) occurs. Operators take part in the installation process, enabling them to fully understand how to operate, trouble-shoot, and even service the vehicle. Further training can be provided upon request.



AFTERMARKET

Our Aftermarket team offers a wide array of services to help client's run their system smoothly for the life of the vehicles. From parts, to service, to remote trouble shooting and training. Aftermarket can be reached 24 hrs a day, 7 days week to provide excellent customer service.

Revolutionary AGV

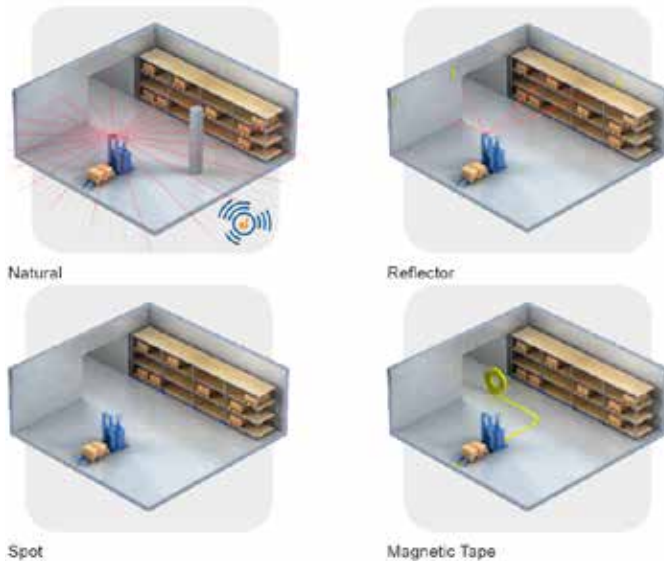
Benefits

AGVs are great for increasing efficiency and reducing costs, by helping to automate a manufacturing site or warehouse. Below are just some of the many benefits.

- Increase Labor Skill
- Less Product Damage
- Multi-shift & 24/7 Operations
- Increased Safety
- Reduced Maintenance
- Improved Accuracy



NAVIGATION



AGVs can be designed to utilize a number of navigation technologies available in the market today. Depending on the complexity of a facility, our engineers will recommend the best possible navigation method for a system. The illustration to the left, shows some of the more popular navigation methods today. Other methods include bar-code and inductive wire.

An AGV is equipped with a vehicle controller where the map of a facility is stored. The controller calculates and supervises the path to drive in order to reach the destination point. The drive and steer encoders report the distance and the direction that the vehicle has driven to the vehicle controller. This feedback is used by the vehicle controller to guide the vehicle.

SYSTEM SAFETY

Transbotics is committed to safety in the workplace – safety for the vehicle and safety for the operators working around the vehicles. Extensive vehicle and system safety features, thorough and detailed safety manuals, and comprehensive safety classes for customer personnel, ensure that each Transbotics customer owns and works within the safest system possible. Safety features include:

- Safety Relay
- Bumper Safety
- E-Stop Buttons
- Side Protection
- Warning Lights
- Audible Alerts
- Battery Safety

In addition to following OSHA standards, all controls provided are also ISO9001 approved. A series of procedures ensure that quality and reliability is always built into each system.



ADVANCED TECHNOLOGY

Transbotics offers the latest technology to achieve optimal operating efficiencies, thus increasing your bottom line. This allows us to improve safety and the ability to react quickly to operational changes.

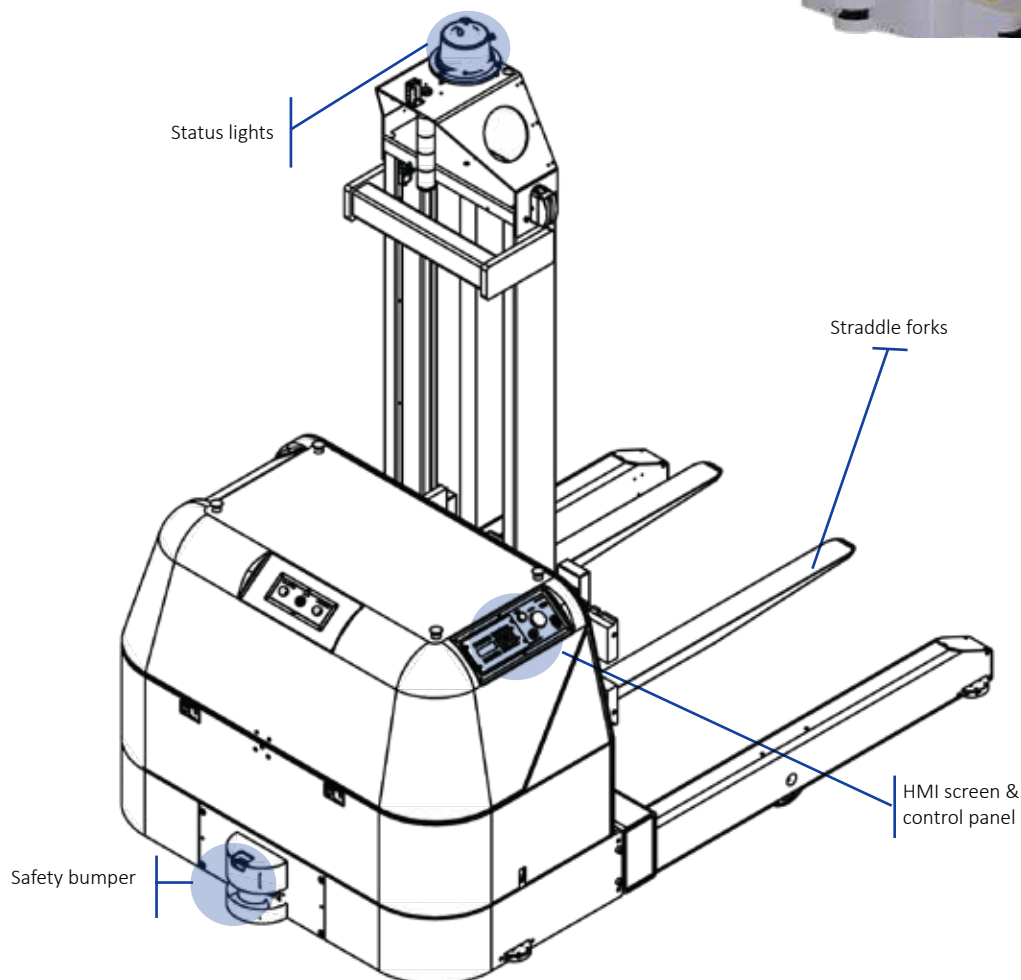
- Superior Position with Vector Control
- AC Motors do not require maintenance like DC motors. This reduces maintenance cost and increases ROI.
- AC Motor Controller Ratings up to 1,500 Amps@ 48V. Unequaled power for moving large loads like jumbo rolls with AC motors.
- We offer State-of-the-Art fast charging technology with Hi-Tech sealed Lithium chemistry battery solutions or pure lead configurations. Lithium batteries have fast-charge capability and nominally 5,000-20,000 cycles for unmatched battery life.
- CWAY- A 3D user interface system for remote system monitoring and analytics.
- HMI- Human Machine Interface on each AGV to provide system status.

STRADDLE FORKLIFT

This vehicle is designed to easily maneuver pallets through cramped spaces. Known for their versatility, these AGVs are great for warehouse and commercial facilities. Easy to use, move and maintain, this vehicle can meet a variety of needs safely, and efficiently in tight spaces.

BENEFITS

- Perfect for small facilities or cramped spaces where maneuverability is limited
- Able to perform the job of a regular forklift with ease through tight corners
- Compact design can handle both full and empty pallets





TRANSBOTICS



704-362-1115 | 2205 BELTWAY BLVD. SUITE 100 CHARLOTTE, NC 28214
WWW.TRANSBOTICS.COM | SALES@TRANSBOTICS.COM