

**BENCHTOP
RSD**



**ROCKLABS
BENCHTOP
RSD**



Big inputs and accurate outputs for seriously reliable results.

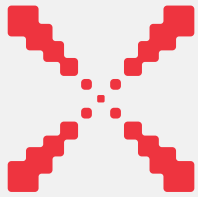
The Rocklabs Benchtop RSD (Rotating Sample Divider) is designed to be placed on a work bench and can be used in conjunction with Benchtop Ring Mill.

Featuring sealed bearings the Benchtop RSD takes a representative split of any proportion from 2-50%. Get a representative split of sample and remainder.

Taking a representative split is not as simple as many people believe. Rolling on a mat, multiple grabs or riffle splitting do not produce accurate results. A classic study conducted at Bradford University demonstrated that a rotating sample divider provided the best results.

Benefits:

- Robust design
- Easy operation
- Sealed bearings
- Two representative splits
- Compact to sit on work bench



		Method	Standard Deviation %
Motor power	0.1kW, single phase	Cone & Quartering	6.810
Maximum input particle size	10mm	Scoop Sampling	5.140
Hopper Capacity	5kg	Riffle Splitting	1.010
		Table Sampling	2.090
		Rotating Splitting	0.125
		Random Variation	0.076



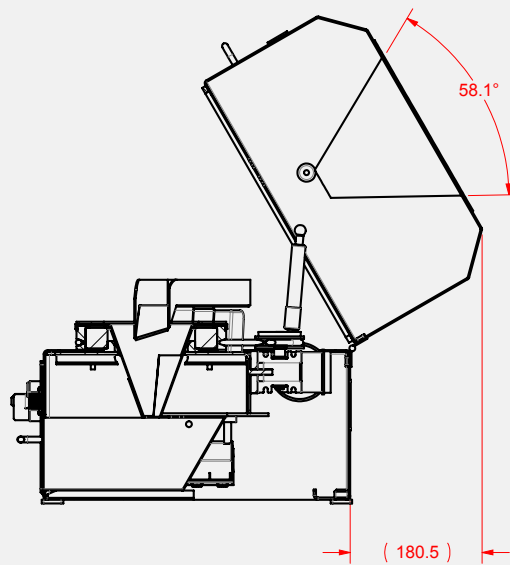
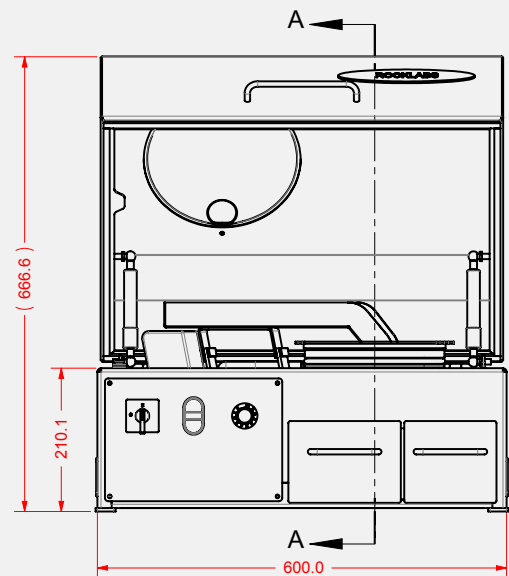
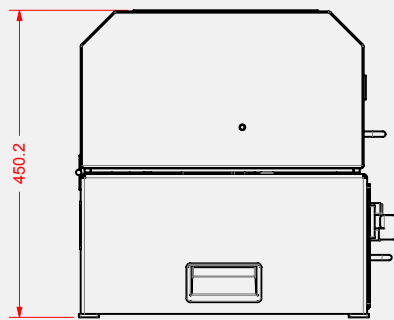
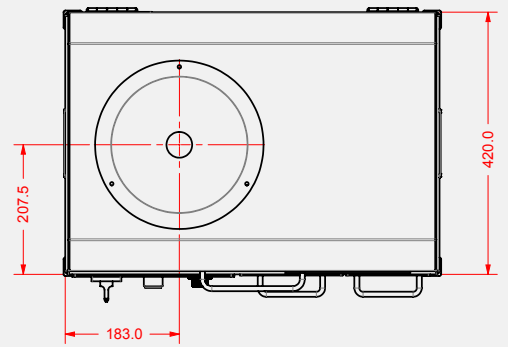
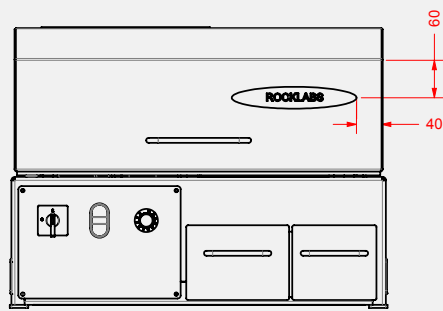
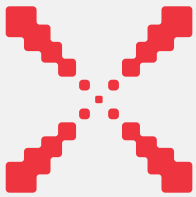
	Product	Shipping
Height	450.2mm	640mm
Width	600mm	675mm
Depth	420mm	625mm
Weight	58.82kg	75kg



Powered by Scott for worldwide support.

ROCKLABS Bench Top RSD is sold with a 2000 operating hours or one year warranty (whichever comes first), covering all parts (excluding wear parts) and labour if used under laboratory conditions.

**ROCKLABS
BENCHTOP
RSD**



SECTION A-A